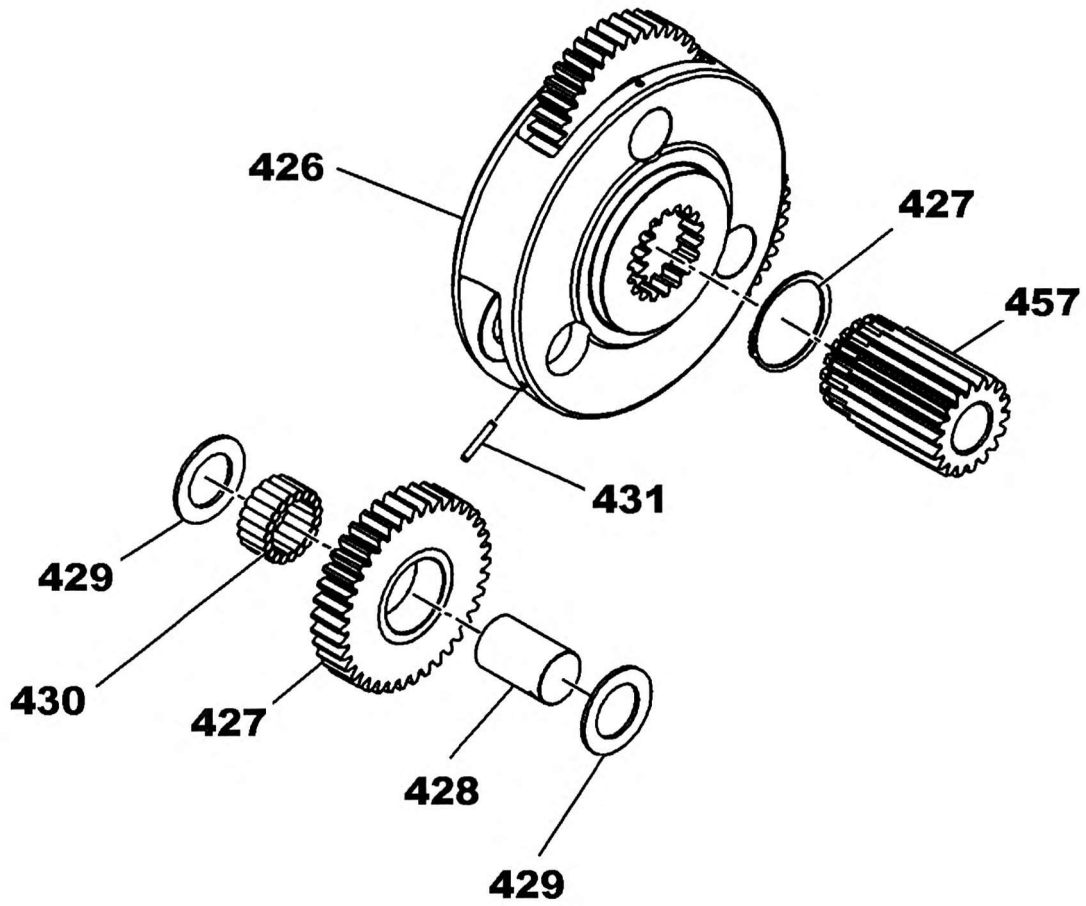
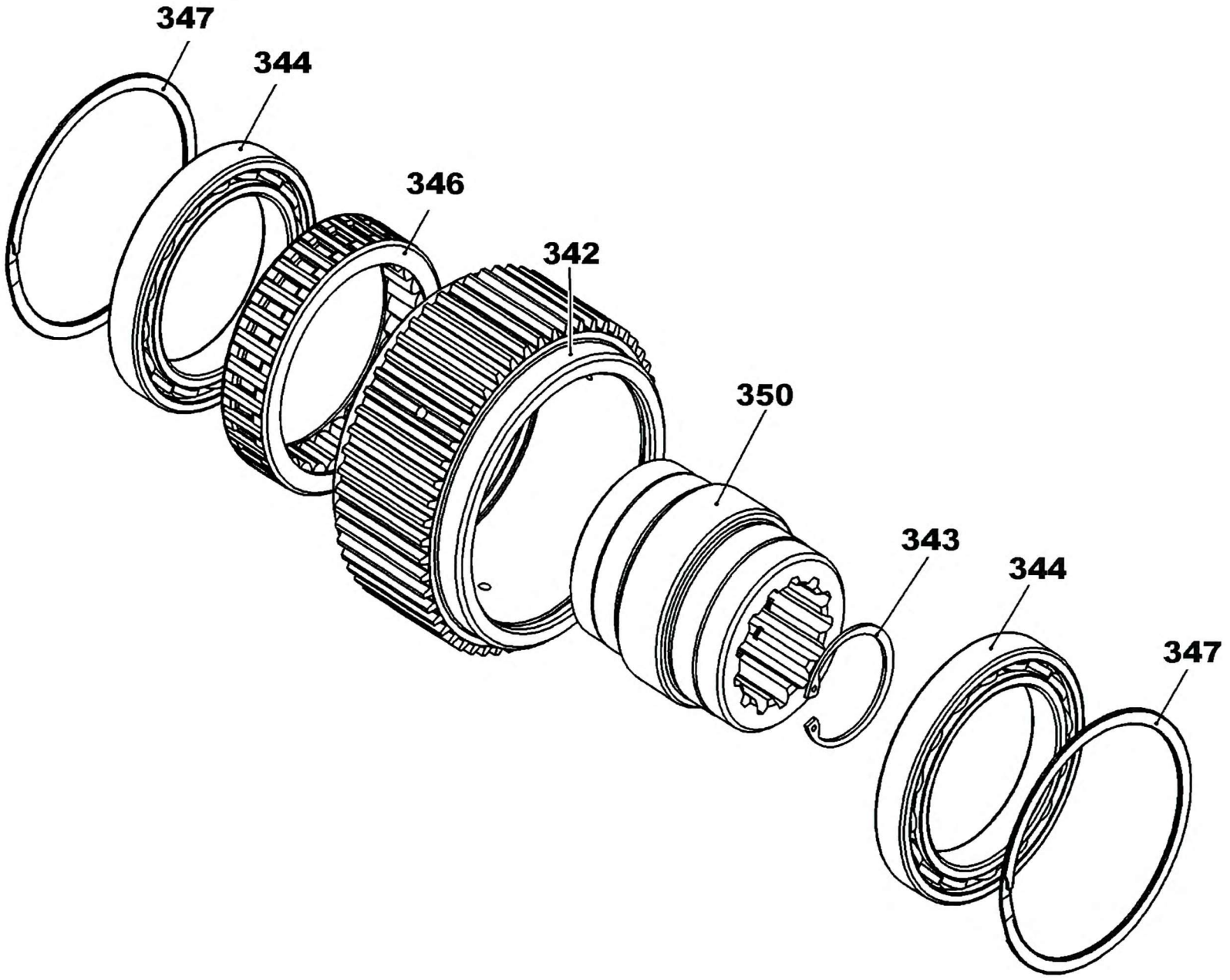
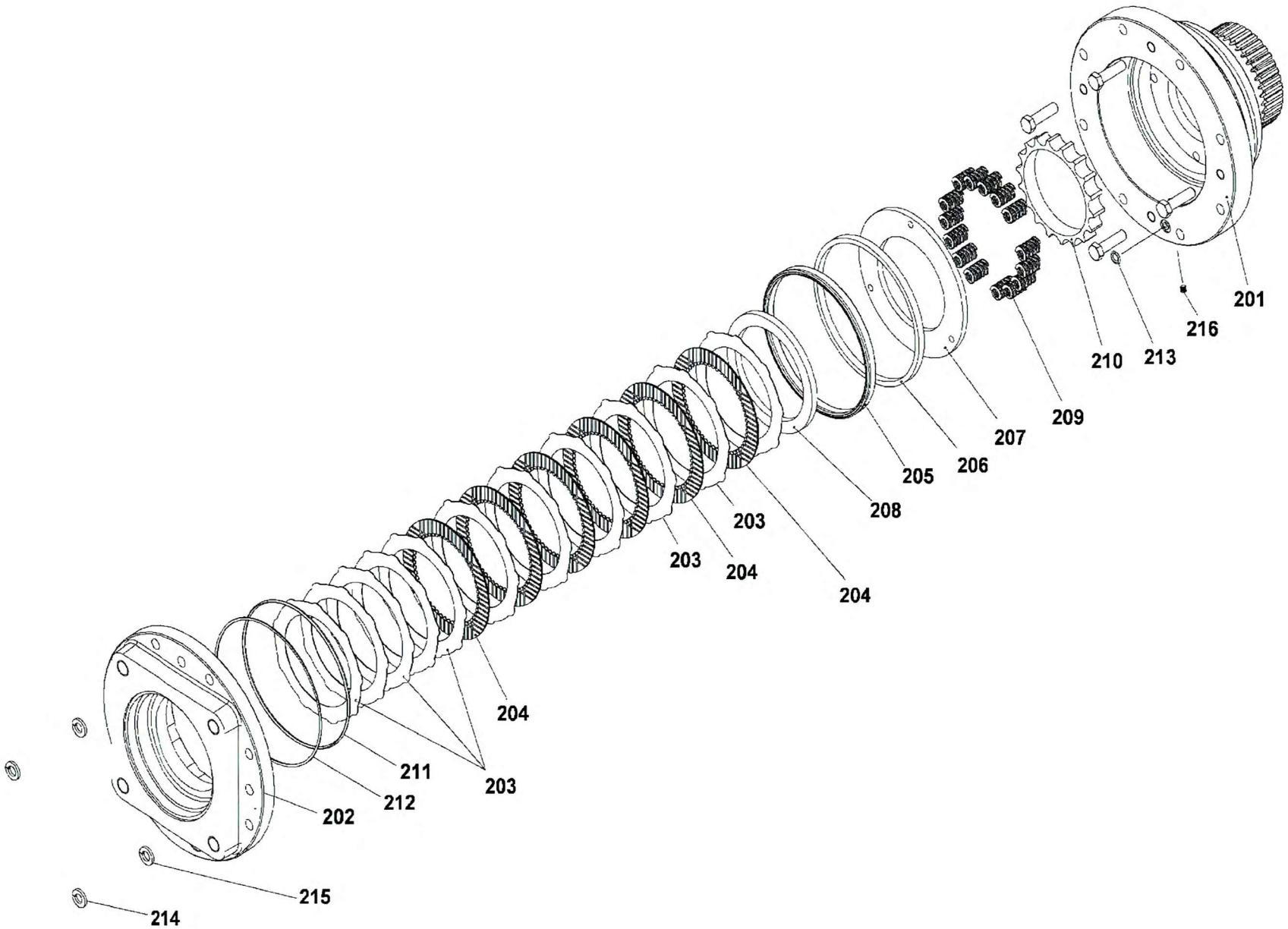
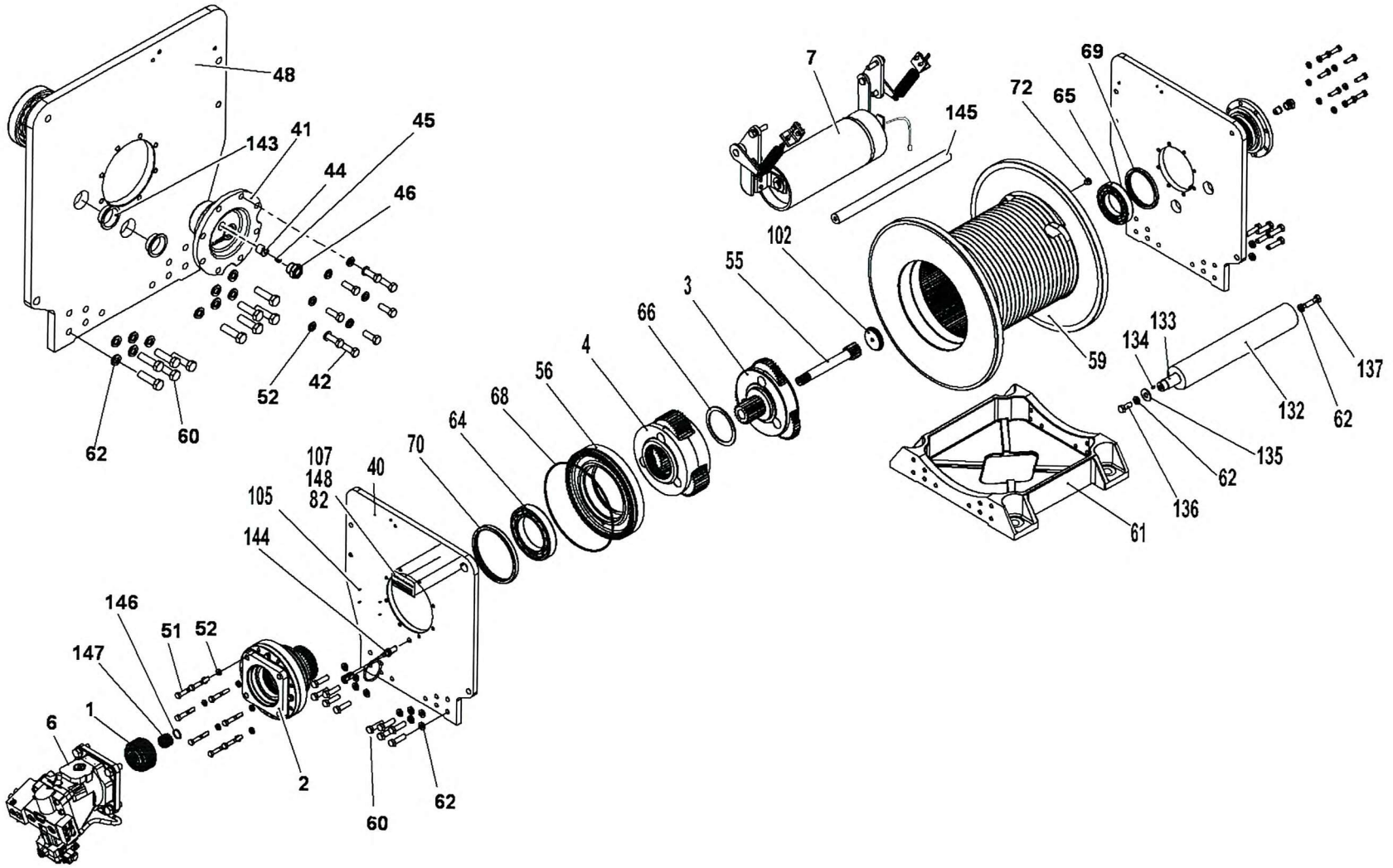


# Manitowoc Cranes









80026025

(SHEET 1 OF 7)

Page 736